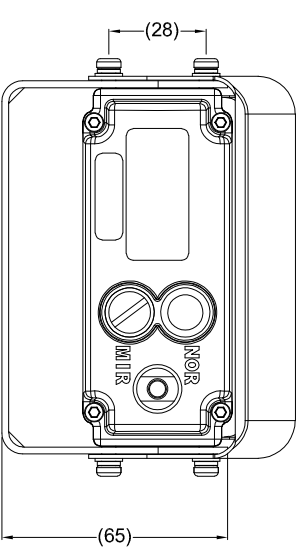
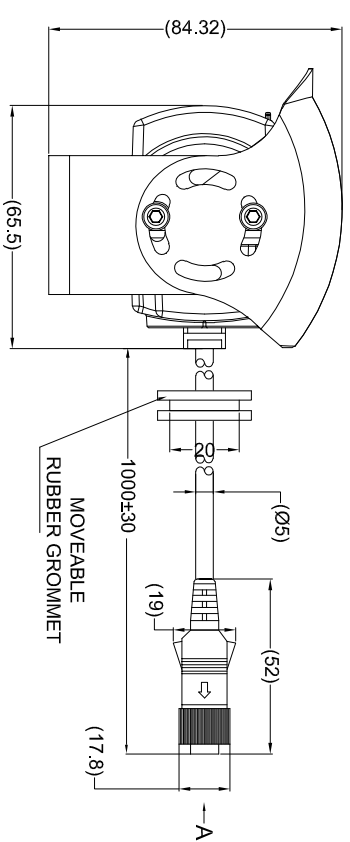
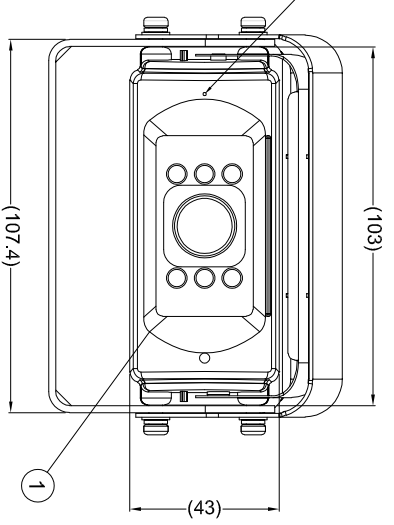
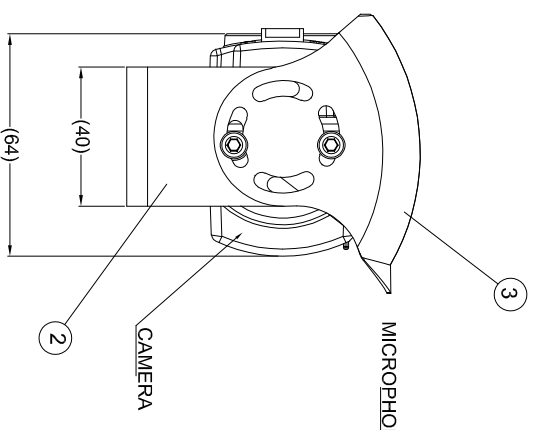
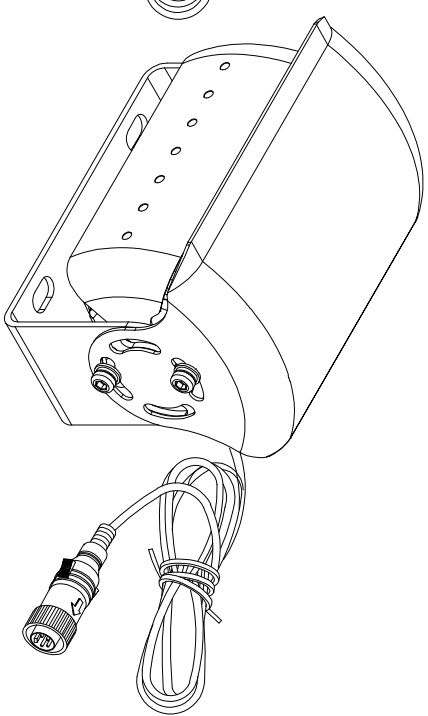
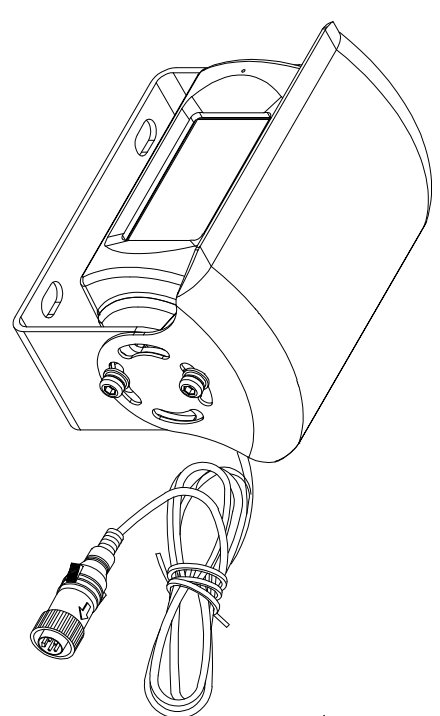
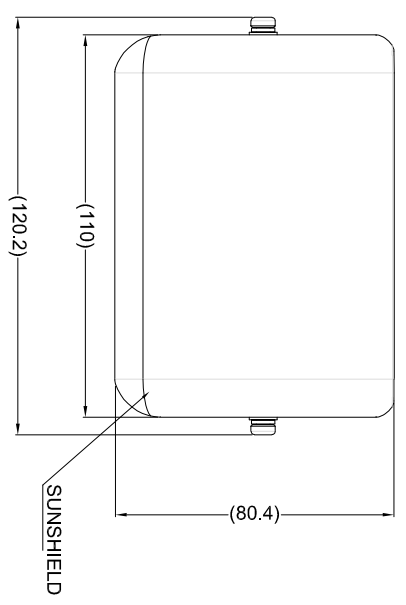
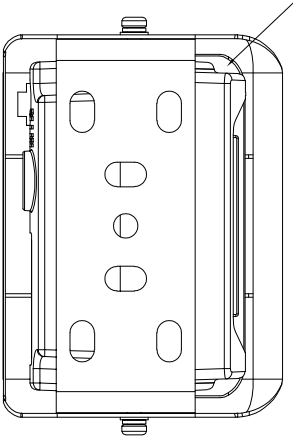


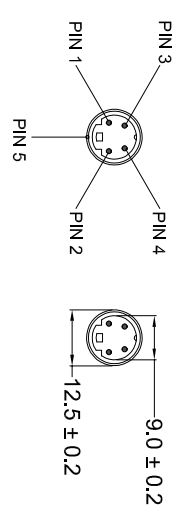
Revision Notes			
R1 -			
APA: -	Drawn:-	Checked:-	Approved:-
			Date: -



SHUTTER



VIEW A



4 PIN MINI DIN MALE MATING FACE

PIN #	WIRE COLOUR	DESCRIPTION
1	YELLOW	VIDEO
2	RED	+12V
3	BLUE	ADD. FUNCTION SHUTTER (CONTROL)
4	WHITE	AUDIO
5	SHIELD	GND

ITEM	PART NO	QTY	MODEL/DESCRIPTION
①	(3416D)	1	BE-810C-C CAMERA ONLY
②	(3417B)	1	BE-81XC & BE-21XC-BKT MOUNTING BRACKET
③	(3418A)	1	BE-81XC & BE-21XC SS SUNSHIELD
④	(3246)	1	BE-81XC & BE-21XC FIX FIXING KIT (NOT SHOWN)
⑤	(3419B)	1	BE-810C-IG INSTALLATION GUIDE (NOT SHOWN)

- NOTES:
1. REFER TO PRODUCT SPECIFICATION FOR PRODUCT SPECIFICATIONS.
 2. FOR PRODUCT LABEL AND PACKAGING INFORMATION REFER TO MASTER BOM.
 3. ANY CUSTOMER MODIFICATION OF THIS PRODUCT CAUSING SUBSEQUENT FAILURE IS NOT A LIABILITY OF BRIGADE ELECTRONICS PLC.

PROPRIETARY NOTICE

THIS DESIGN AND TECHNICAL INFORMATION APPEARING ON THIS DRAWING IS THE PROPERTY OF BRIGADE ELECTRONICS, AND IS DISCLOSED IN CONFIDENCE. IT IS NOT TO BE COPIED, REPRODUCED, REVEALED TO OR EXPROPRIATED BY OTHERS, EITHER IN WHOLE OR IN PART WITHOUT THE EXPRESS WRITTEN CONSENT OF BRIGADE ELECTRONICS.



Assembly Pl Approval T.CHOI 01/11/18	Approved by	B.JOHN	Checked by	S.SLAVER	Drawn by	C.WALKER
	Units	mm	Scale	N/A	Released	02/11/18
Angle of Projection	Third Angle		Status	RELEASED	BE-810C	
Part No	1242D		Part No	BE-003887-00-18		

